

1 2 3 4 5 6 7

A

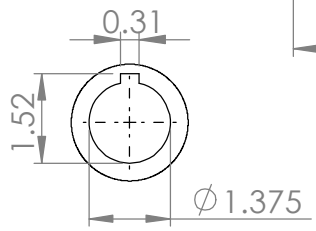
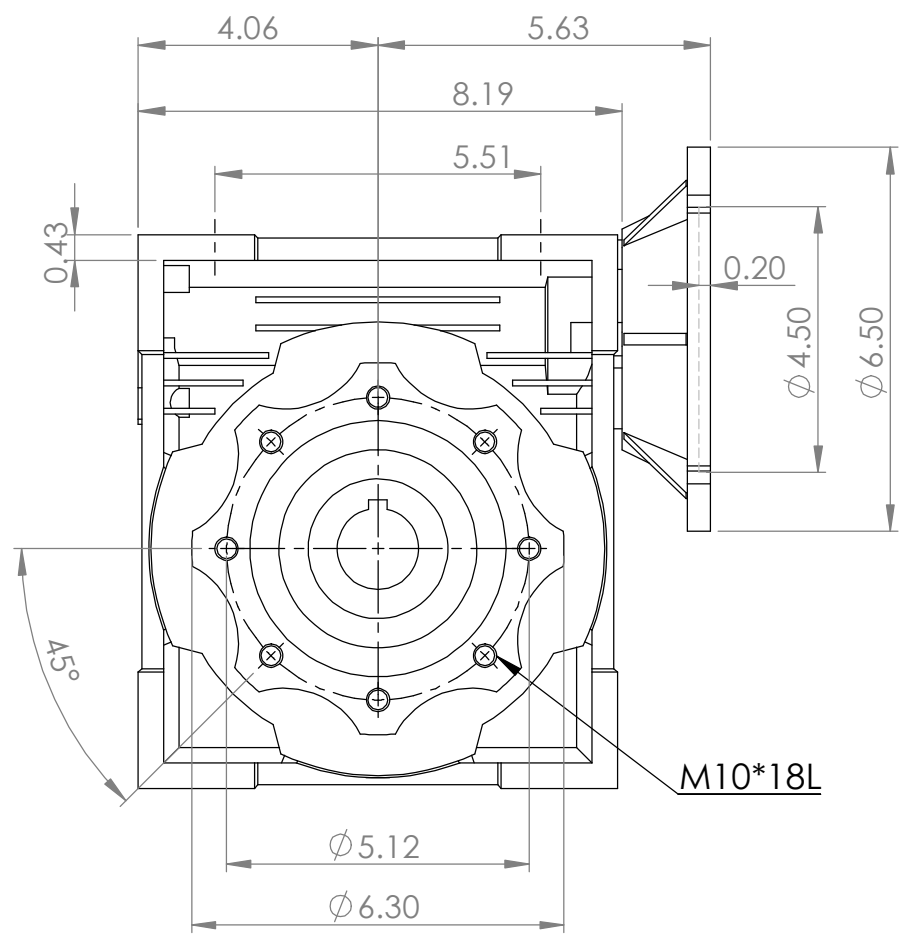
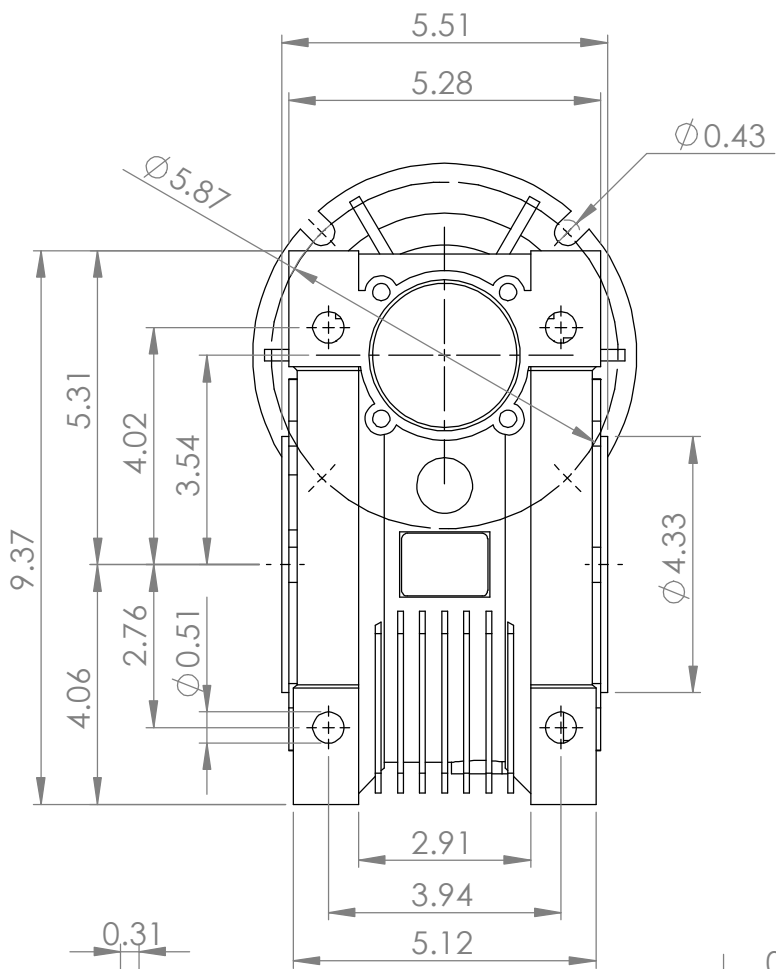
B

C

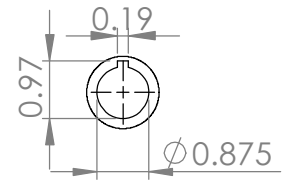
D

E

F



OUTPUT BORE



INPUT BORE

NO.	PART NO.	MATERIAL	PC	RAW MATERIAL	WEIGHT	NOTE
SCABBLE TOLERANCE						
>0	± 0.1					
>6	± 0.2					
>30	± 0.3					
>120	± 0.5					
>315	± 0.8					
MACHING REQUIRED						
~	NO-MACHINING					
▽	50S					
▽▽	25S					
▽▽▽	6S					
ANG. TOLERANCE ± 0.5						
DWG.	2014.06.21	CHUN-YA				
DESIGN.						
APPR.						
DATE		NAME				
SCALE	1:3.25			TITLE	CLAM90-145TC	
				DWG. NO.	CALM90-145TC	REV. A

WORLD WIDE

NO.	SECTION	ORIGIN	MODIFICATION	DATE	IN CHARGE